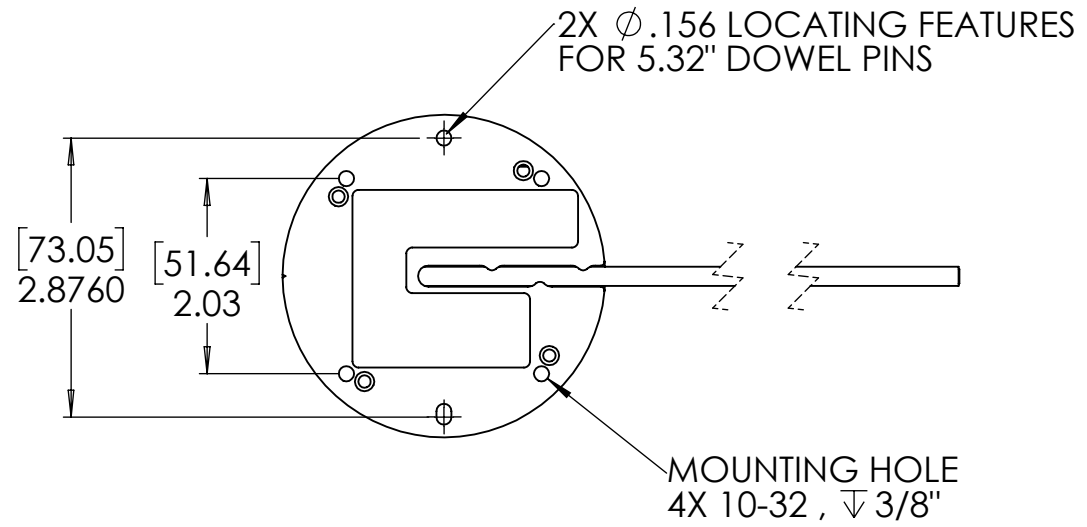
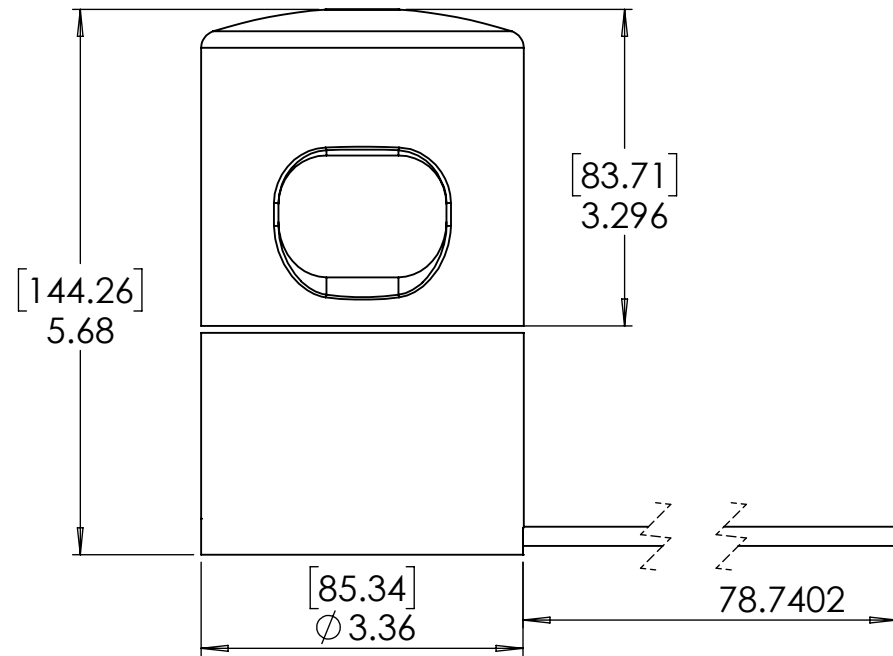


THE INFORMATION CONTAINED IN THIS DRAWING IS THE SOLE PROPERTY OF VELODYNE LIDAR, INC., ANY REPRODUCTION IN PART OR WHOLE WITHOUT THE WRITTEN PERMISSION OF VELODYNE LIDAR, INC., IS PROHIBITED.

NOTES: UNLESS OTHERWISE SPECIFIED

1. ALL PRIMARY DIMENSIONS ARE IN DECIMAL INCHES [mm]

REVISIONS				
ECO	REV.	DESCRIPTION	DATE	APPROVED
003424	A	RELEASE FOR PRODUCTION	7/2/18	C.R



UNLESS OTHERWISE SPECIFIED DIMENSIONS ARE IN DECIMAL INCHES AND [METRIC].		SOLIDWORKS GENERATED DRAWING. DO NOT MANUALLY UPDATE		Velodyne LiDAR™	
TOLERANCES ARE: DECIMALS      ANGLES .xx ± .01 [0.25]    ± N/A .xxx ± .005 [0.127]		APPROVALS	DATE	TITLE	
MATERIAL      SEE NOTES		DWN A. JARIWALA	7/2/18	80-HDL32E 2M-NJB	
FINISH      SEE NOTES		CHKD		SIZE	DWG. NO.
DO NOT SCALE DRAWING		ENG		B	86-0147
				SCALE: SC 1:20	REV. A
					SHEET 1 of 1