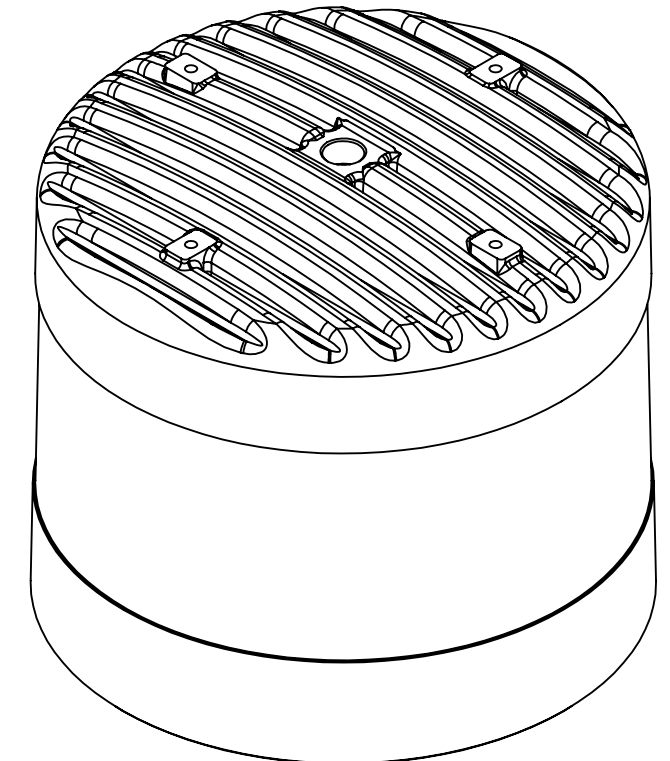
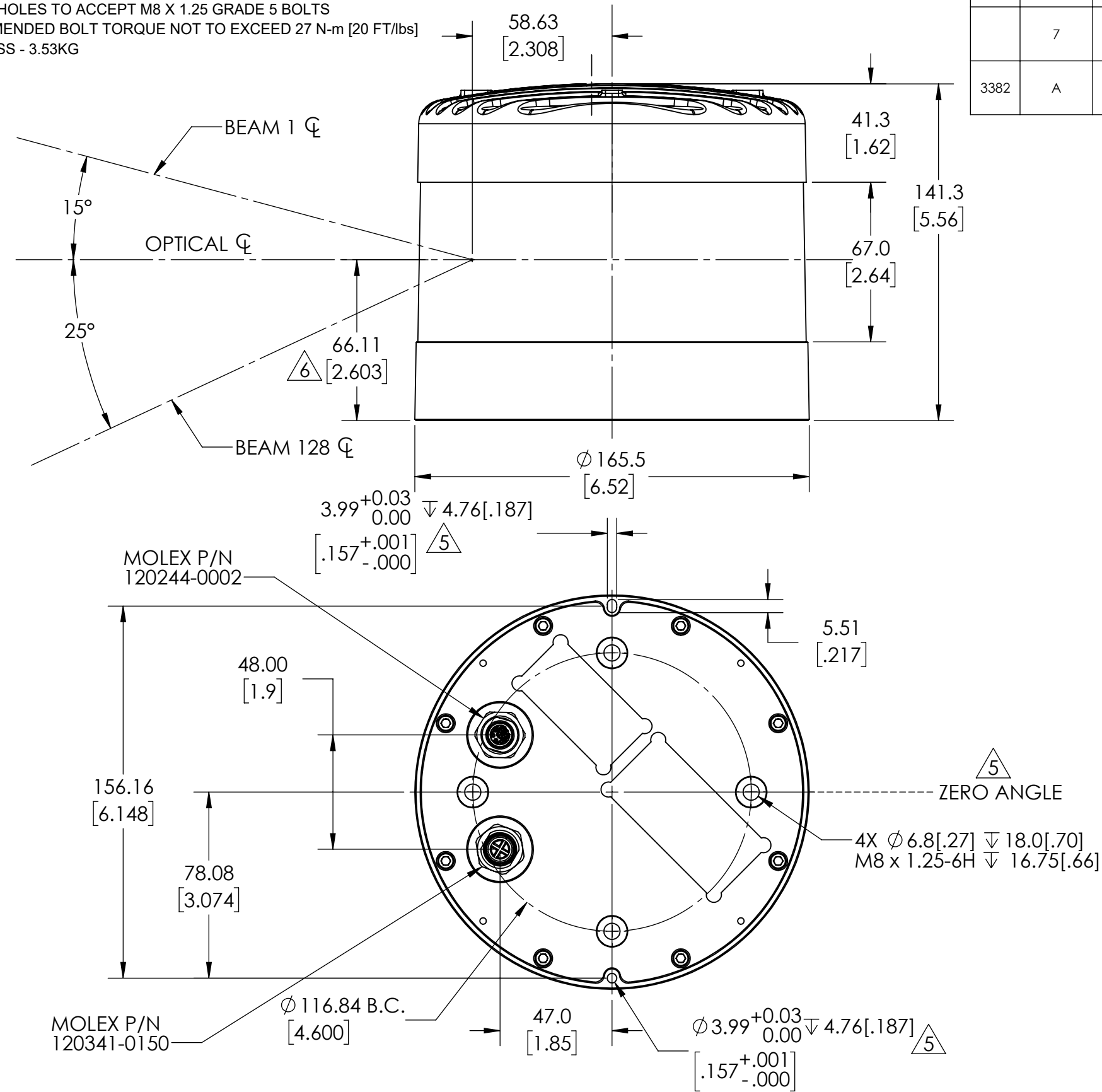


THE INFORMATION CONTAINED IN THIS DRAWING IS THE SOLE PROPERTY OF VELODYNE LIDAR, INC., ANY REPRODUCTION IN PART OR WHOLE WITHOUT THE WRITTEN PERMISSION OF VELODYNE LIDAR, INC., IS PROHIBITED.

NOTES: UNLESS OTHERWISE SPECIFIED

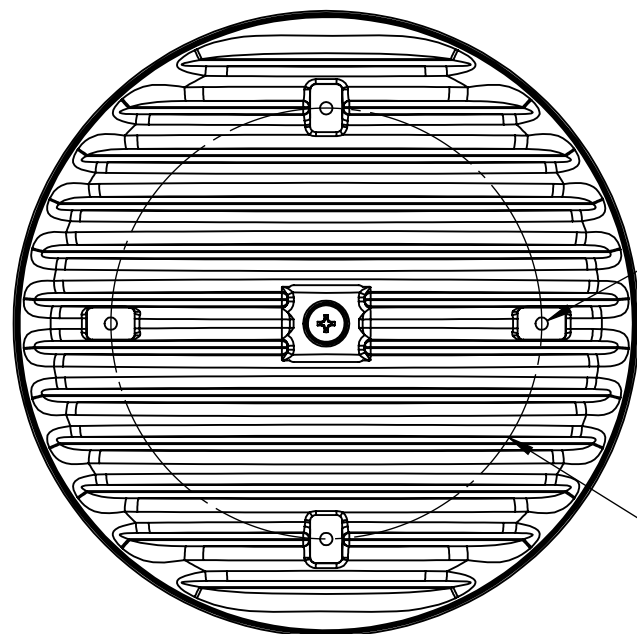
- ALL PRIMARY DIMENSIONS ARE IN MILLIMETERS [IN.]
- MOUNTING HOLES TO ACCEPT M8 X 1.25 GRADE 5 BOLTS
 - RECOMMENDED BOLT TORQUE NOT TO EXCEED 27 N-m [20 FT/lbs]
- VLS-128 MASS - 3.53KG

REVISIONS				
ECN	REV.	DESCRIPTION	DATE	APPROVED
	5	ROTATED LOCATING HOLES 90 DEGREES, PROVIDED ZERO ANGLE NOTE.	4/23/2018	SRC
	6	CHANGED OPTICAL CENTER HEIGHT FROM BASE BOTTOM OF NEW B1 BASE	5/4/2018	SRC
	7	CHANGED THE LID TO THE VERSION WITH THE BOSSES. MODIFIED KEEP OUT AREA TO ADJUST FOR THE NEW BASE WITH BOTTOM CONNECTORS.	5/7/2018	SRC
3382	A	RELEASED TO "A" REVISION.	6/21/2018	SRC



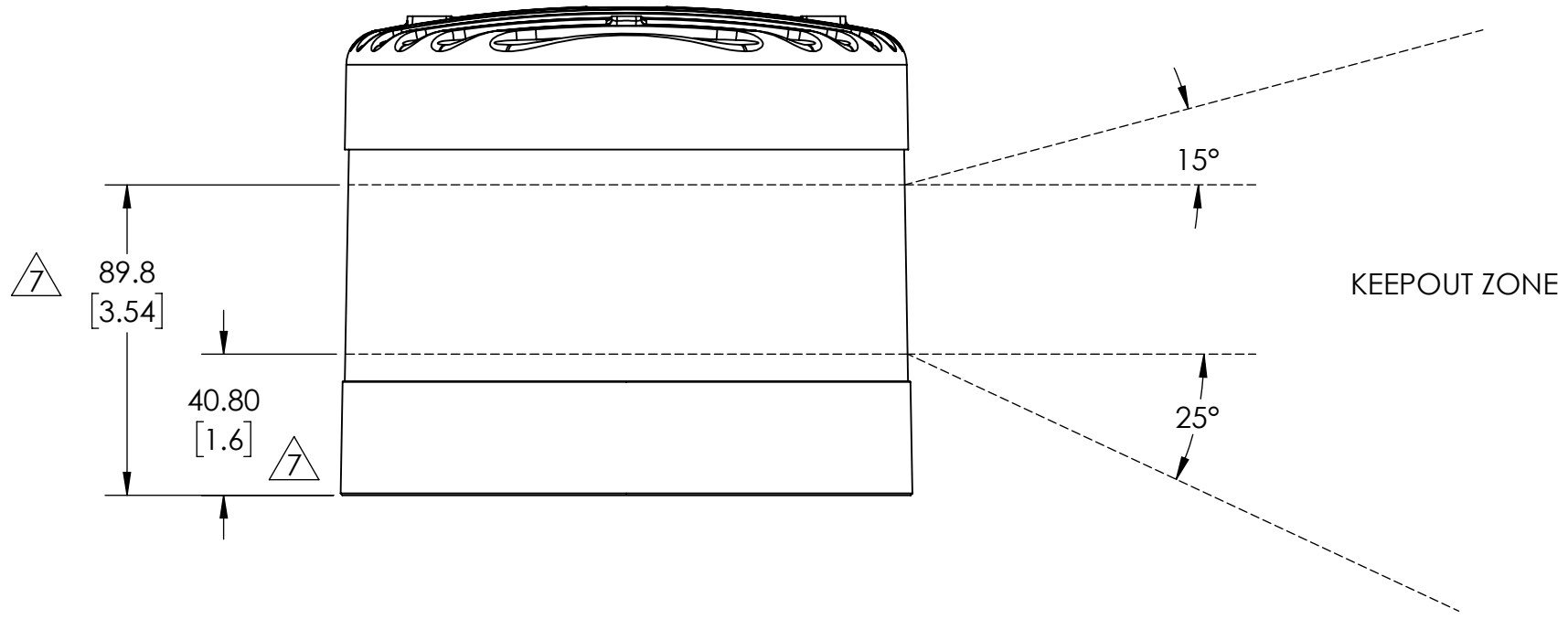
UNLESS OTHERWISE SPECIFIED DIMENSIONS ARE IN DECIMAL INCHES AND [METRIC].		SOLIDWORKS GENERATED DRAWING. DO NOT MANUALLY UPDATE.		Velodyne LiDAR™	
TOLERANCES ARE: DECIMALS .xx ± .01 [0.25] ANGLES ± N/A		APPROVALS	DATE	TITLE	
.xxx ± .005 [0.127]		DWN	02/16/18	VLS-128 ENVELOPE DRAWING	
MATERIAL SEE NOTES		CHKD		SIZE	DWG. NO. 86-0137
FINISH SEE NOTES		QC		REV.	A
DO NOT SCALE DRAWING		ENG		SCALE: SC 1:1	SHEET 1 of 2

THE INFORMATION CONTAINED IN THIS DRAWING IS THE SOLE PROPERTY OF VELODYNE LIDAR, INC., ANY REPRODUCTION IN PART OR WHOLE WITHOUT THE WRITTEN PERMISSION OF VELODYNE LIDAR, INC., IS PROHIBITED.



$\triangle 7$
 4X $\phi 3.3$ TAP HOLE $\nabla 8.26$ [.325]
 [.130]
 M4 X 0.7 $\nabla 7.60$ [.300]

$\phi 114.0$ B.C.
 [4.49]



Velodyne LiDAR[™]

ENVELOPE DRAWING, VLS-128

SIZE	DWG. NO.	REV.
B	86-0137	A
SCALE: SC 1:5		SHEET 2 of 2