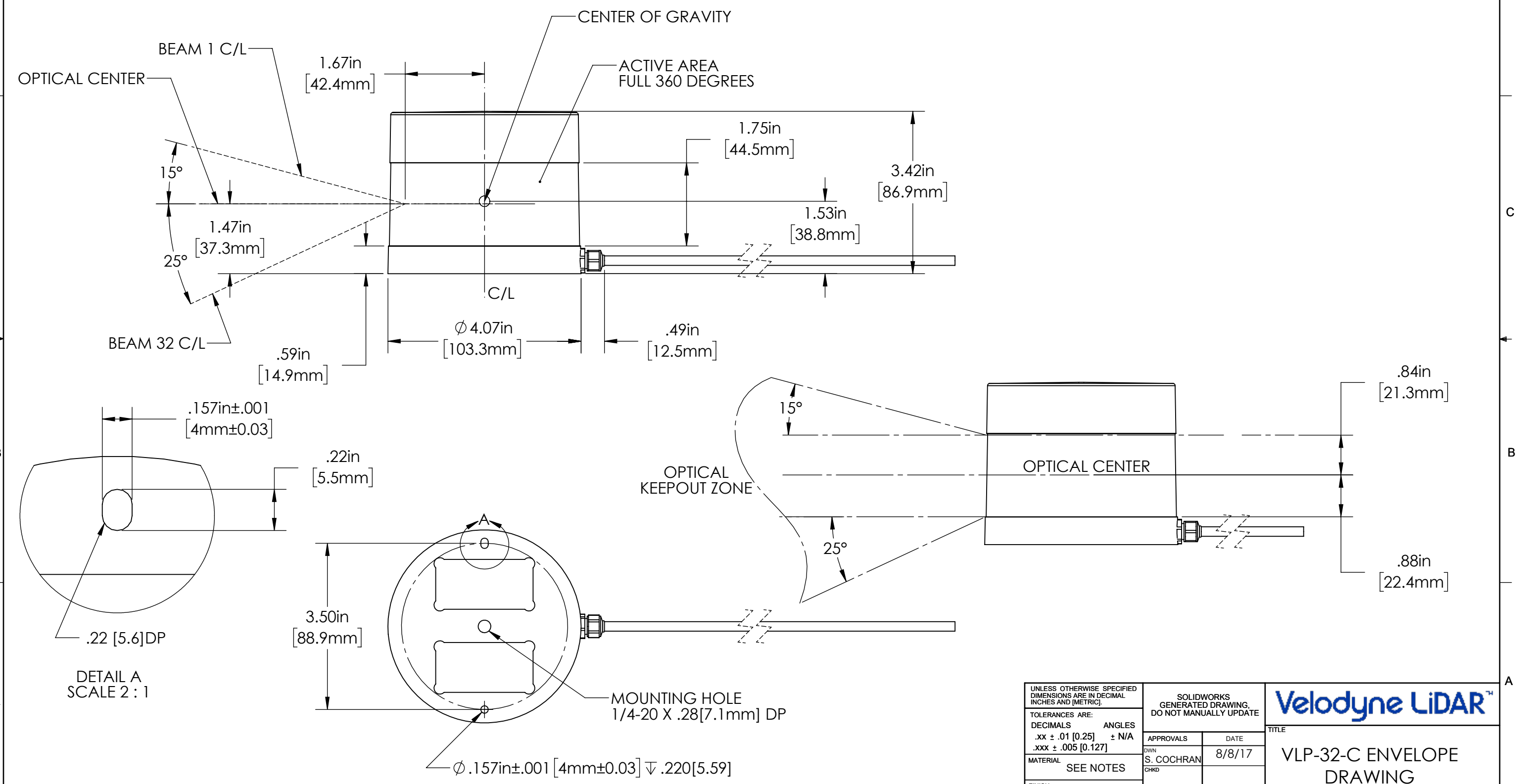


THE INFORMATION CONTAINED IN THIS DRAWING IS THE SOLE PROPERTY OF VELODYNE LIDAR, INC., ANY REPRODUCTION IN PART OR WHOLE WITHOUT THE WRITTEN PERMISSION OF VELODYNE LIDAR, INC., IS PROHIBITED.

REVISIONS				
ECN	REV.	DESCRIPTION	DATE	APPROVED
3117	1	INITIAL RELEASE	4/24/2018	VC

NOTES: UNLESS OTHERWISE SPECIFIED

1. ALL PRIMARY DIMENSIONS ARE IN DECIMAL INCHES [MM].



UNLESS OTHERWISE SPECIFIED DIMENSIONS ARE IN DECIMAL INCHES AND [METRIC].		SOLIDWORKS GENERATED DRAWING. DO NOT MANUALLY UPDATE.		Velodyne LiDAR™	
TOLERANCES ARE:	DECIMALS	ANGLES	APPROVALS	DATE	TITLE
	.xx ± .01 [0.25]	± N/A	DWN	8/8/17	VLP-32-C ENVELOPE DRAWING
	.xxx ± .005 [0.127]		CHKD		
MATERIAL	SEE NOTES		QC		SIZE DWG. NO.
FINISH	SEE NOTES		ENG		B 86-0130
DO NOT SCALE DRAWING					REV. 1
				SCALE: 1:5	SHEET 1 of 1