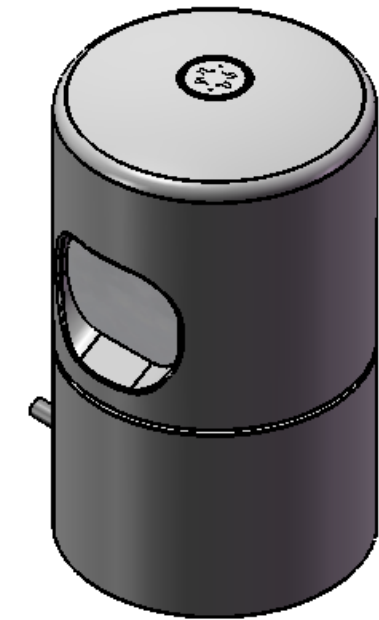
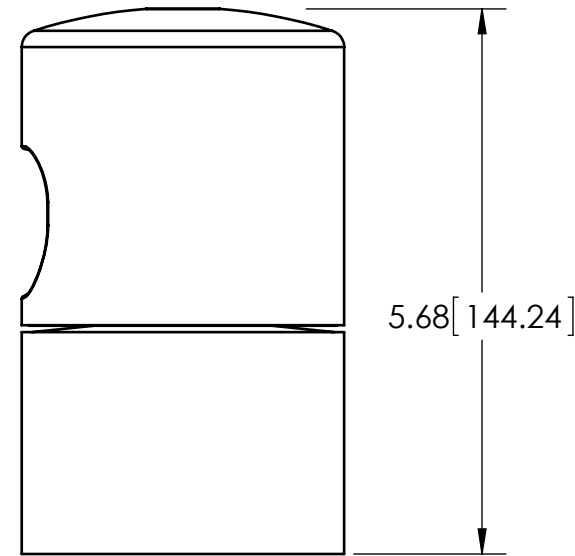
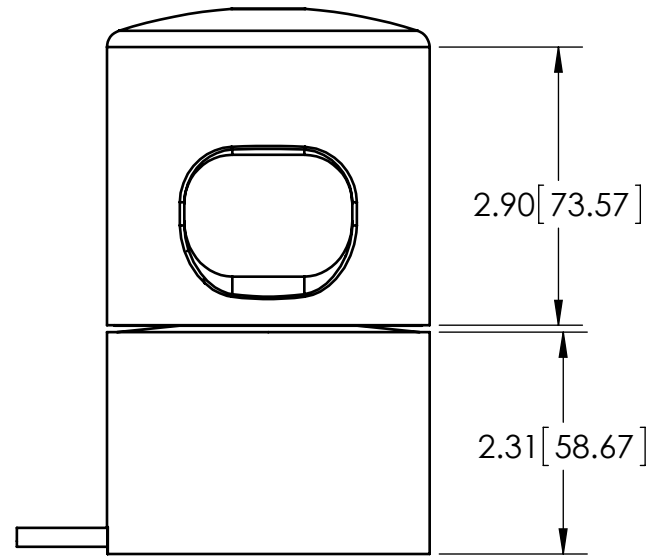
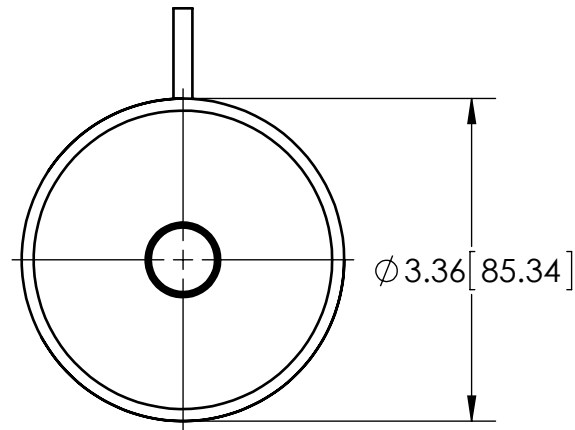


THE INFORMATION CONTAINED IN THIS DRAWING IS THE SOLE PROPERTY OF VELODYNE ACOUSTICS, INC., ANY REPRODUCTION IN PART OR WHOLE WITHOUT THE WRITTEN PERMISSION OF VELODYNE ACOUSTICS, INC., IS PROHIBITED.

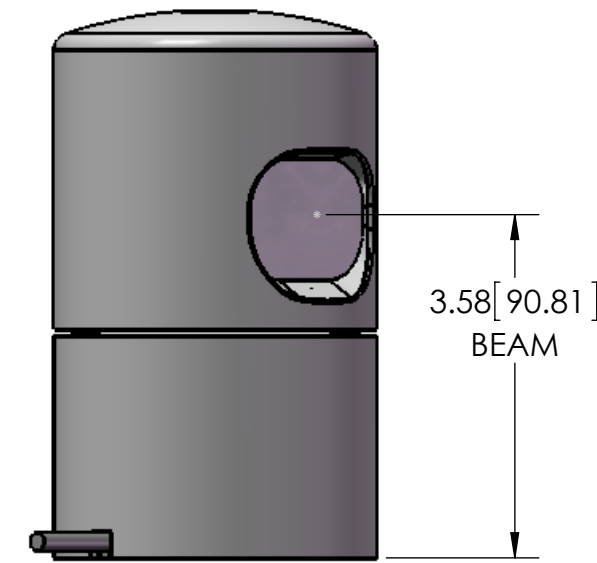
REVISIONS				
ECO	REV	DESCRIPTION	APPROVAL	DATE
000958	A	PRODUCTION RELEASE		4/24/15

NOTES: UNLESS OTHERWISE SPECIFIED

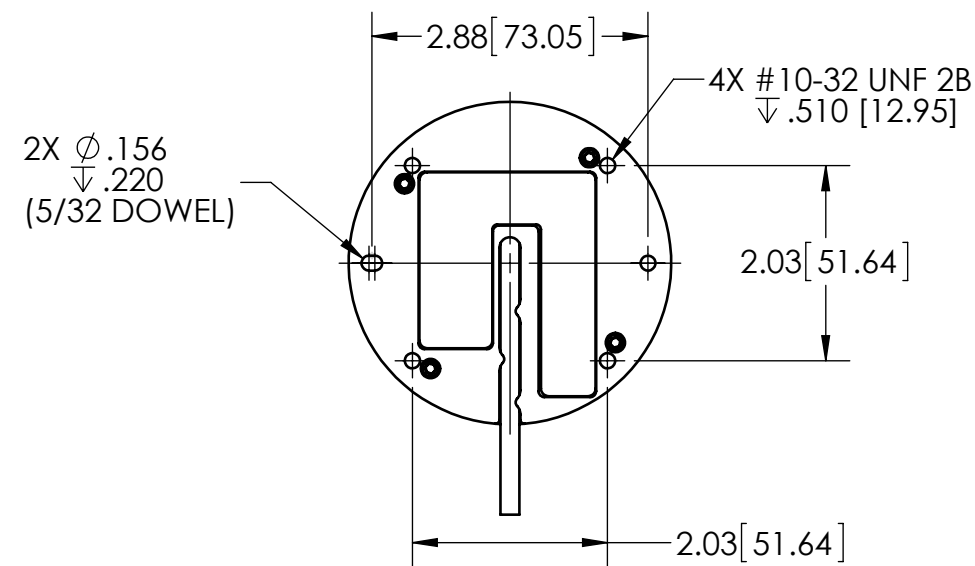
1. ALL DIMENSIONS ARE IN DECIMAL INCHES AND [MILLIMETERS).



ISOMETRIC VIEW



ROTATED VIEW 45 °



UNLESS OTHERWISE SPECIFIED DIMENSIONS ARE IN DECIMAL INCHES AND [METRIC].		SOLIDWORKS GENERATED DRAWING, DO NOT MANUALLY UPDATE		Velodyne Acoustics, Inc.	
TOLERANCES ARE:		APPROVALS		TITLE	
DECIMALS	ANGLES	DWN	DATE	HDL32E	
.xx ± .01 [0.25]	± N/A	JONEAN	5/9/13	OUTLINE DRAWING	
.xxx ± .005 [0.127]		CHKD		SIZE B	
MATERIAL		QC		DWG. NO.	REV.
FINISH		ENG		86-0106	A
NEXT ASSY	USED ON			SCALE: 1:2	SHEET 1 of 1
APPLICATION	DO NOT SCALE DRAWING				