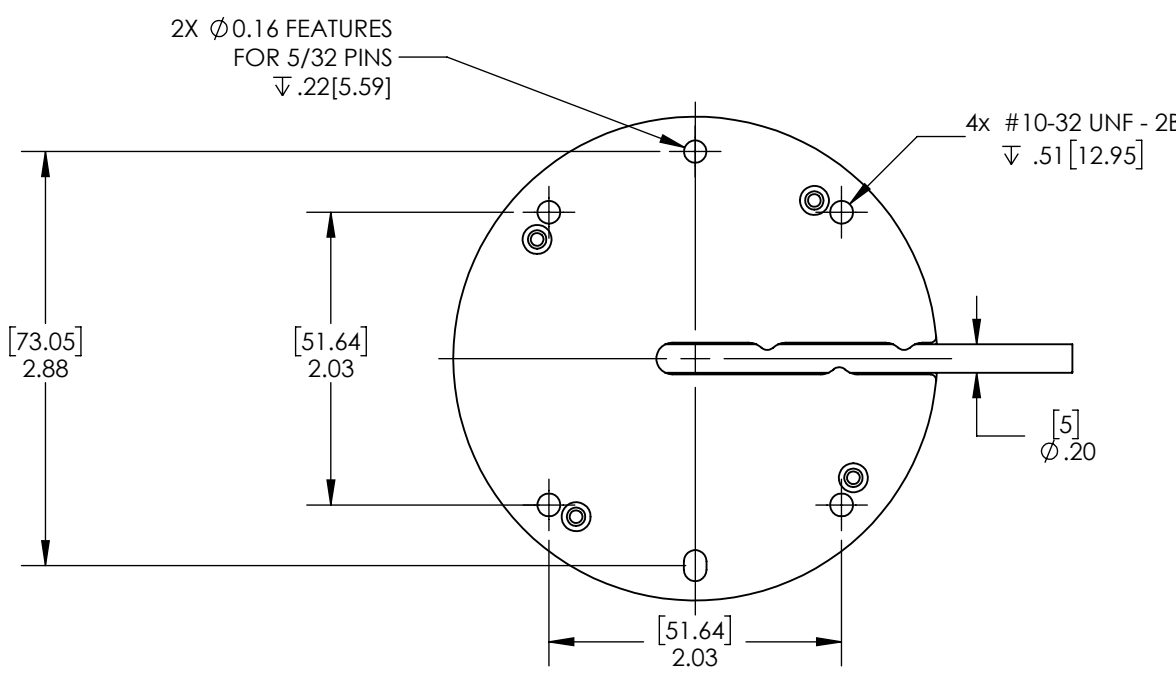
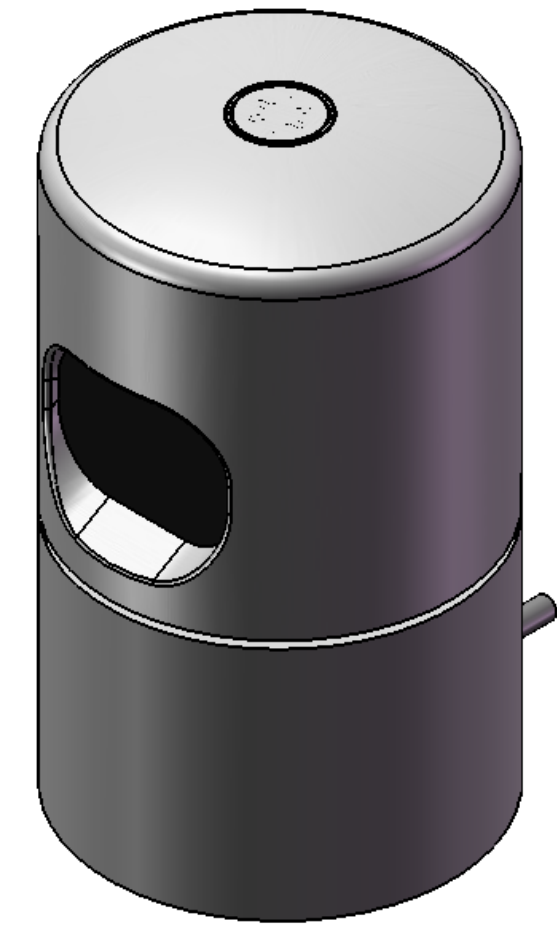
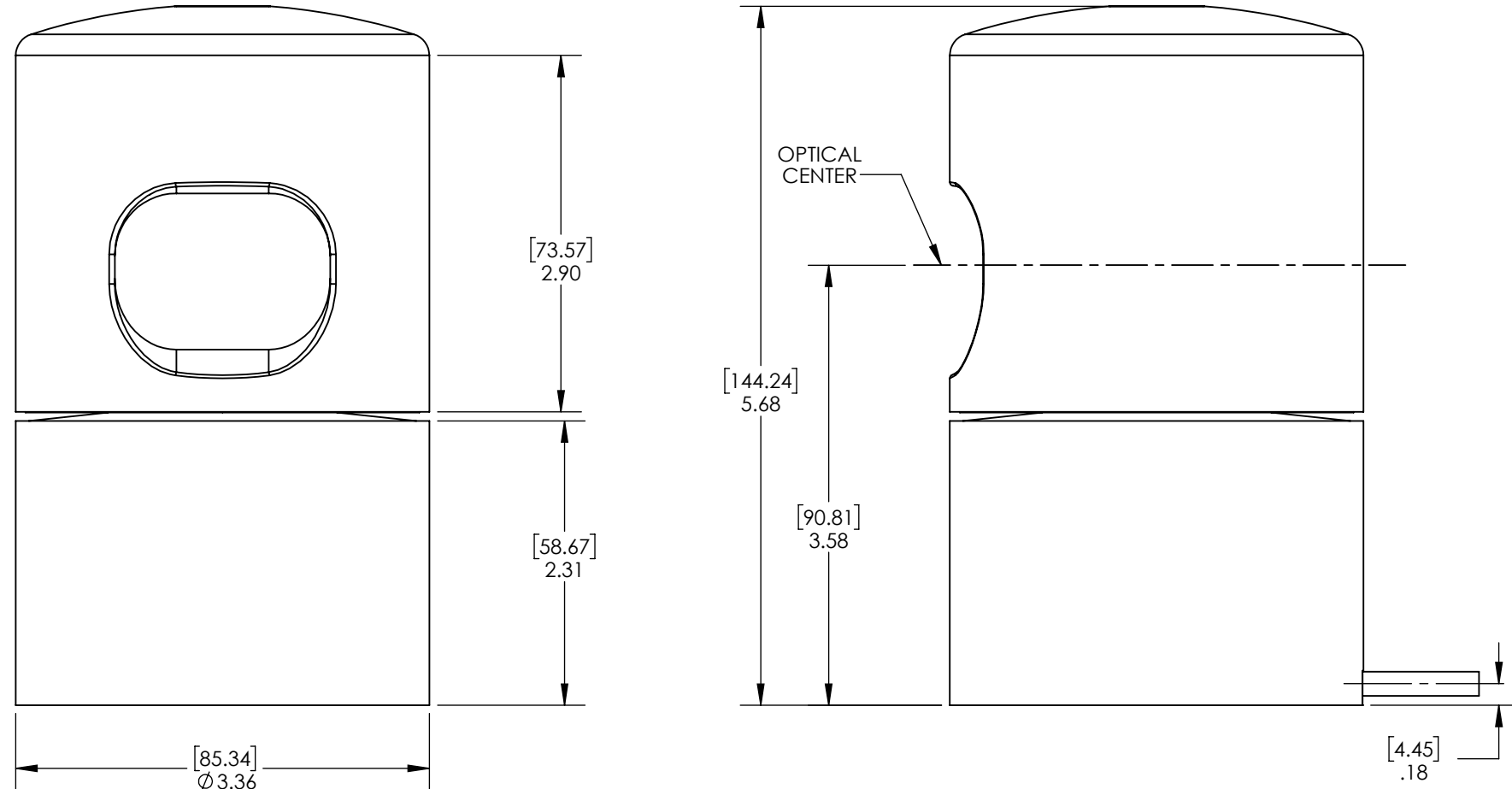


THE INFORMATION CONTAINED IN THIS DRAWING IS THE SOLE PROPERTY OF VELODYNE LIDAR, INC., ANY REPRODUCTION IN PART OR WHOLE WITHOUT THE WRITTEN PERMISSION OF VELODYNE LIDAR, INC., IS PROHIBITED.

NOTES: UNLESS OTHERWISE SPECIFIED  
 1. ALL DIMENSIONS ARE IN DECIMAL INCHES AND [MILLIMETERS].  
 2. ALL DIMENSIONS FOR REFERENCE ONLY.

ECN	REV	DESCRIPTION	APPROVED	DATE
0958	A	PRODUCTION RELEASE	WJ	04/24/15
	B	RELAYOUT ENVELOPE VIEWS (SHEET 1) AND ADDED ADDITIONAL DIMENSIONS. ADDED BEAM OFFSETS (SHEET 2). ADDED OPTICAL KEEP OUT ZONE (SHEET 3).	SSN	05/03/16

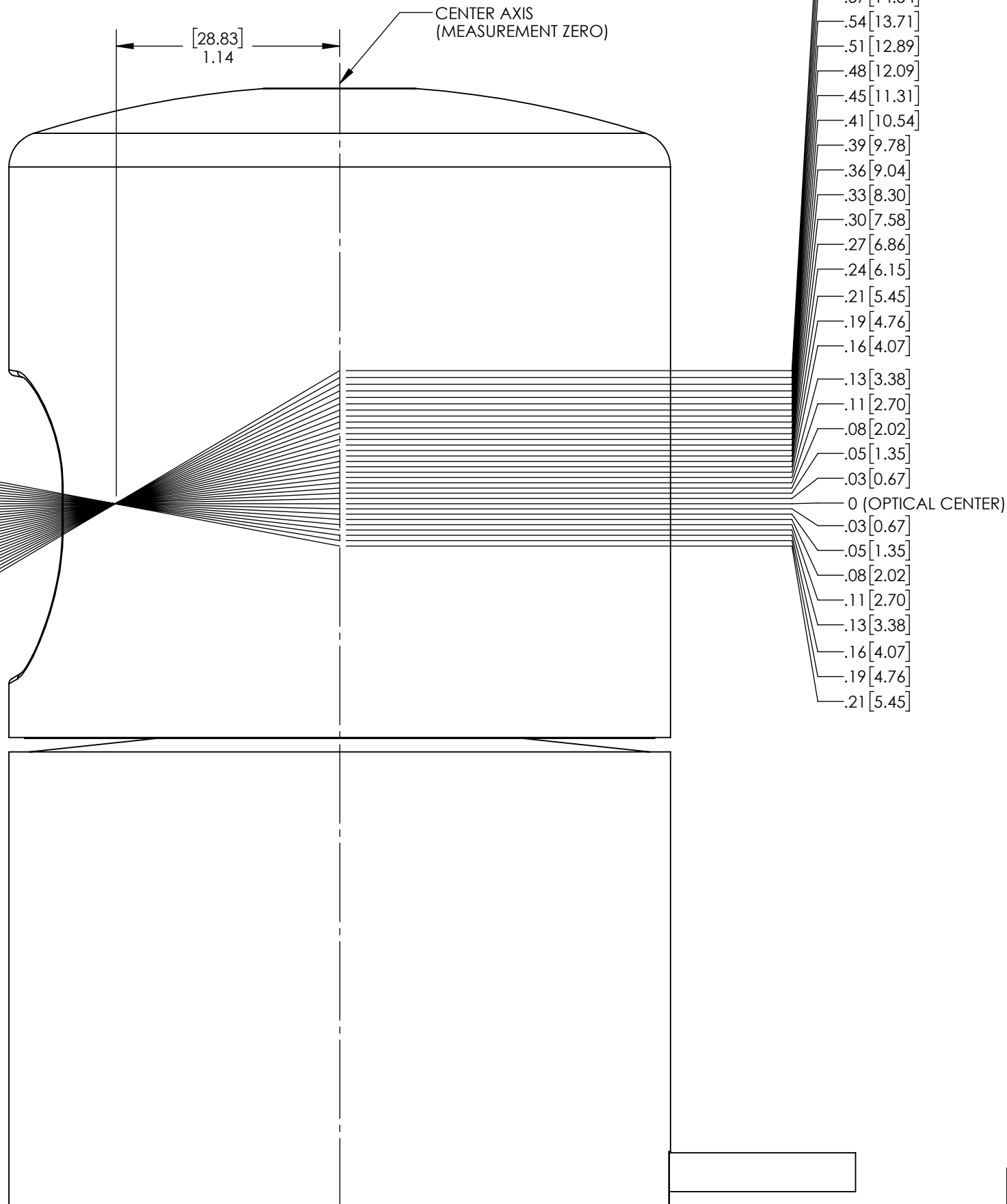


UNLESS OTHERWISE SPECIFIED DIMENSIONS ARE IN DECIMAL INCHES AND [METRIC].		SOLIDWORKS GENERATED DRAWING. DO NOT MANUALLY UPDATE		Velodyne LiDAR, Inc.	
TOLERANCES ARE: DECIMALS .xx ± .01 [0.25] ± N/A .xxx ± .005 [0.127]		APPROVALS		TITLE	
MATERIAL SEE NOTES		DWN JONEAN 05/09/13		ENVELOPE HDL-32E	
FINISH SEE NOTES		CHKD		SIZE DWG. NO. B 86-0106	
DO NOT SCALE DRAWING		ENG		REV. B	
		SCALE: SC		SHEET 1 of 3	

THE INFORMATION CONTAINED IN THIS DRAWING IS THE SOLE PROPERTY OF VELODYNE LIDAR, INC., ANY REPRODUCTION IN PART OR WHOLE WITHOUT THE WRITTEN PERMISSION OF VELODYNE LIDAR, INC., IS PROHIBITED.

- NOTES:  
 1. APPROXIMATE BEAM CENTERS DOES NOT REPRESENT BEAM WIDTHS.  
 2. BEAMS ARE APPROXIMATELY 0.75 TALL AT FOCAL POINT.  
 3. BEAM DIVERGENCE IS APPROXIMATELY 3 MILLIRADIANS.  
 4. APPLY VERTICAL CORRECTION FOR GREATEST ACCURACY.

D  
C  
B  
A



DESCRIPTION  
SEE SHEET 1

D  
C  
B  
A

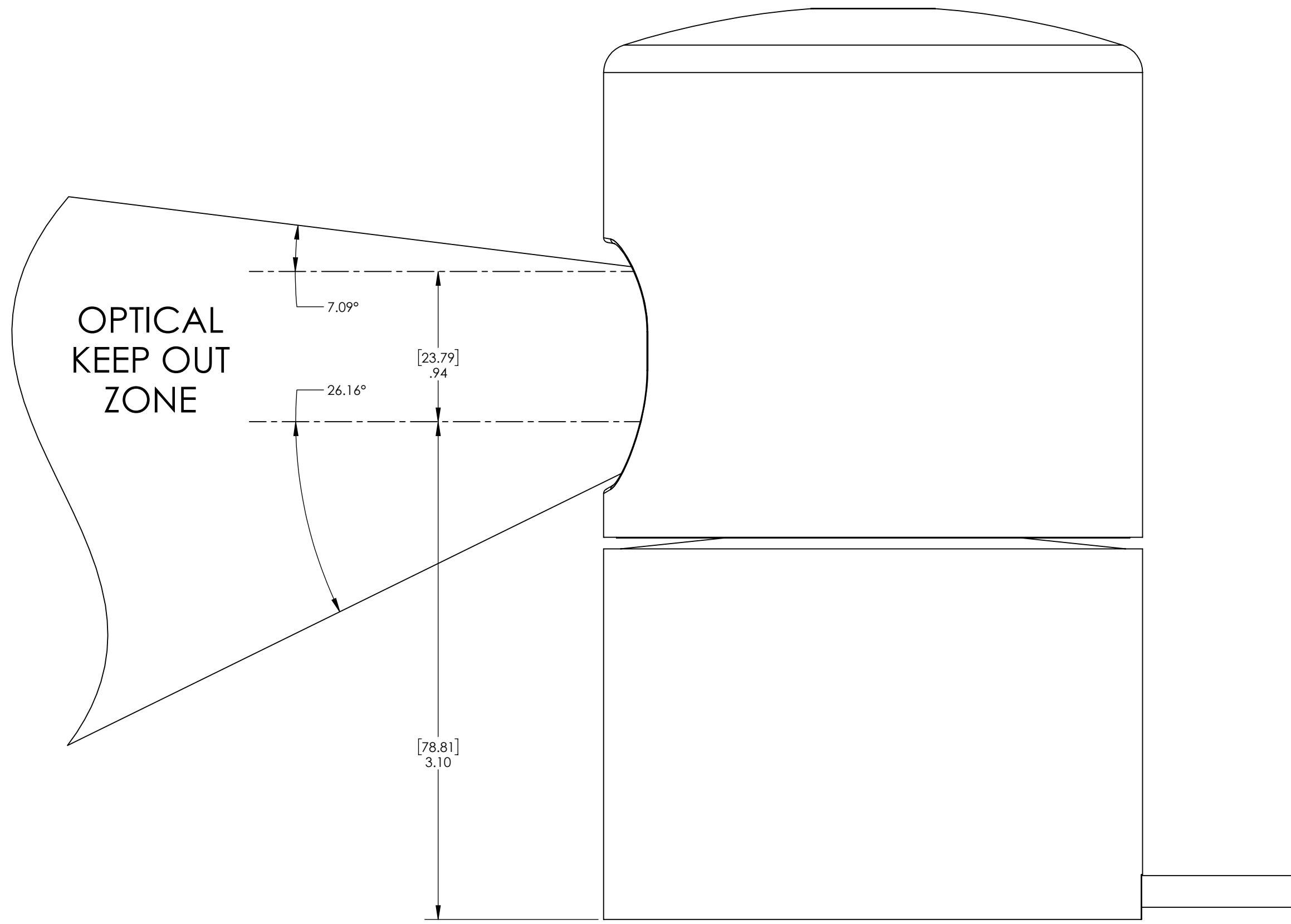
THE INFORMATION CONTAINED IN THIS DRAWING IS THE SOLE PROPERTY OF VELODYNE LIDAR, INC., ANY REPRODUCTION IN PART OR WHOLE WITHOUT THE WRITTEN PERMISSION OF VELODYNE LIDAR, INC., IS PROHIBITED.

DESCRIPTION

SEE SHEET 1

D  
C  
B  
A

D  
C  
B  
A



OPTICAL  
KEEP OUT  
ZONE

7.09°

26.16°

[23.79]  
.94

[78.81]  
3.10

SIZE	DWG. NO.	REV.
B	86-0106	B
SCALE: SC	SHEET 3 of 3	

8 7 6 5 4 3 2 1