

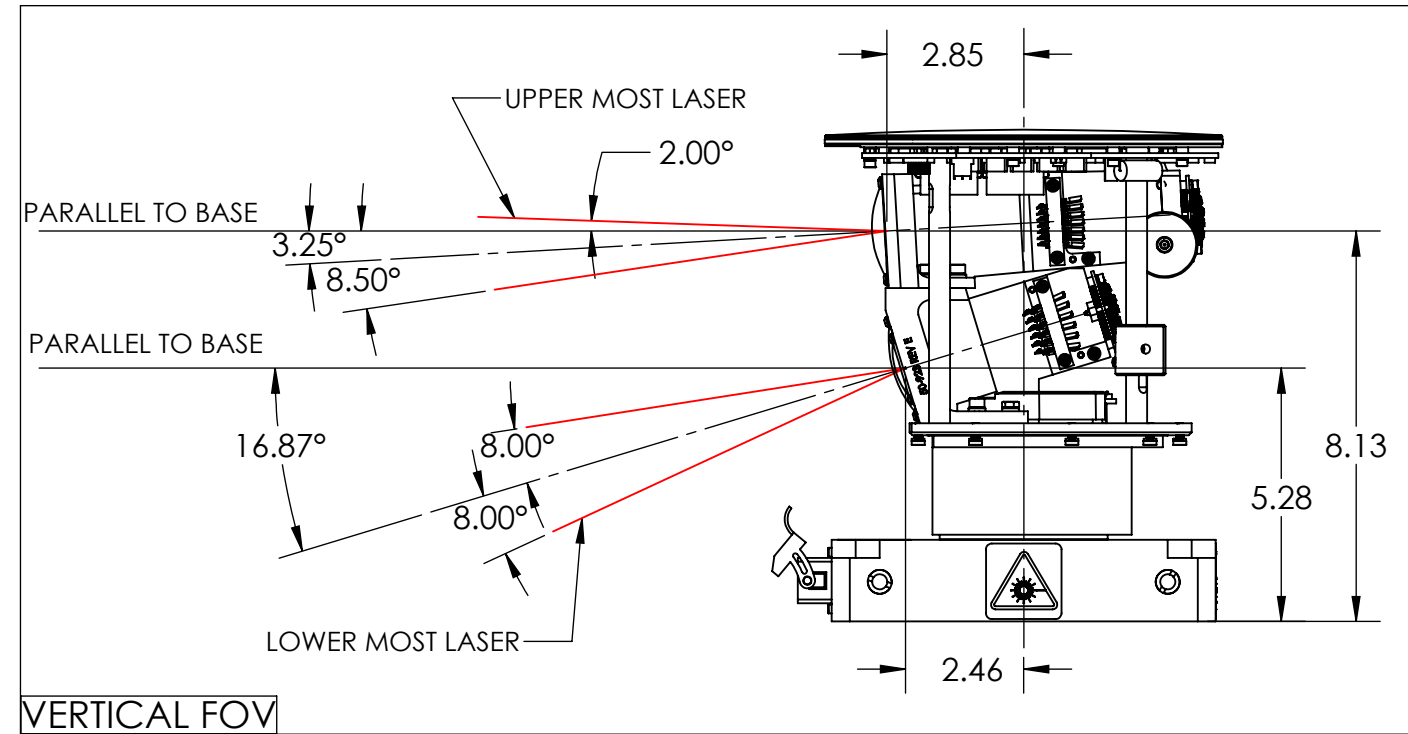
THE INFORMATION CONTAINED IN THIS DRAWING IS THE SOLE PROPERTY OF VELODYNE ACOUSTICS, INC., ANY REPRODUCTION IN PART OR WHOLE WITHOUT THE WRITTEN PERMISSION OF VELODYNE ACOUSTICS, INC., IS PROHIBITED.

REVISIONS				
ECN	REV	DESCRIPTION	APPROVAL	DATE
000954	A	INITIAL RELEASE	S.NG	4/21/15

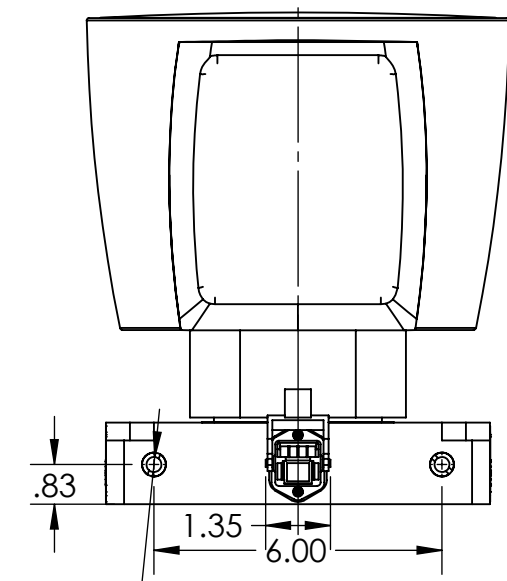
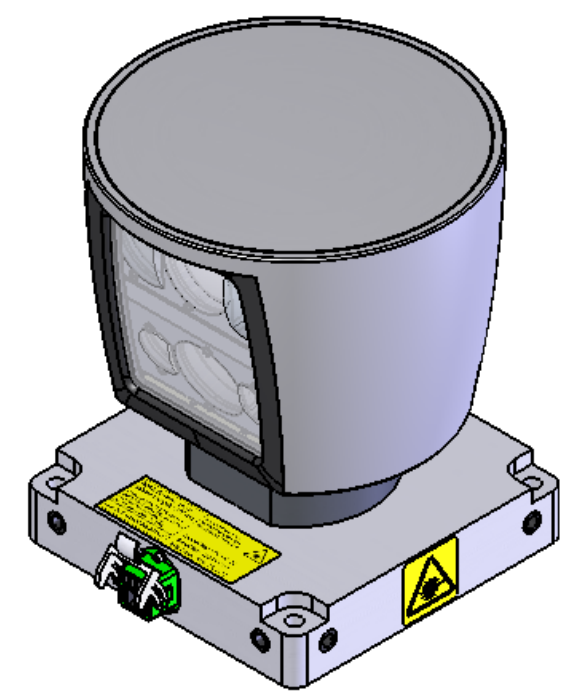
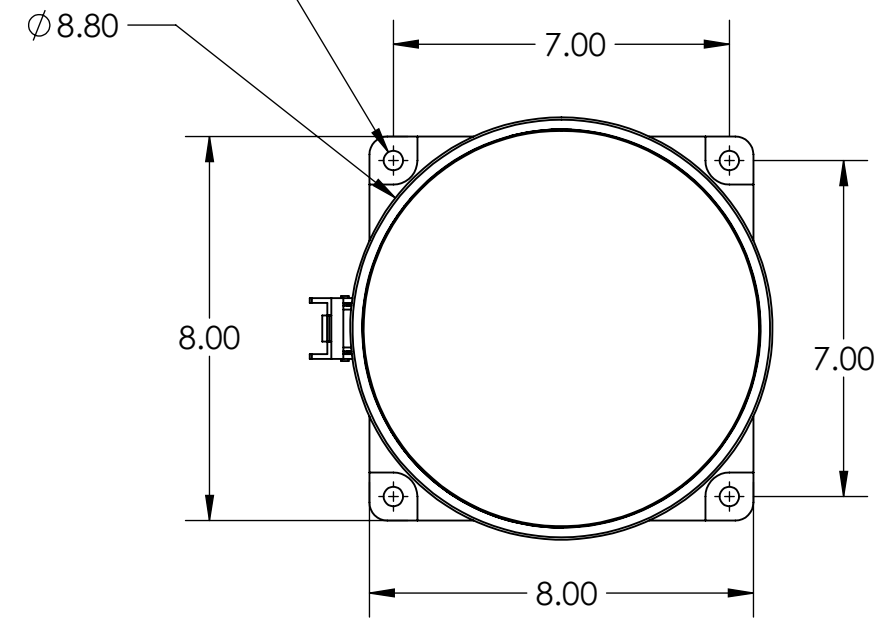
NOTES: UNLESS OTHERWISE SPECIFIED

1. ALL DIMENSIONS ARE IN DECIMAL INCHES.

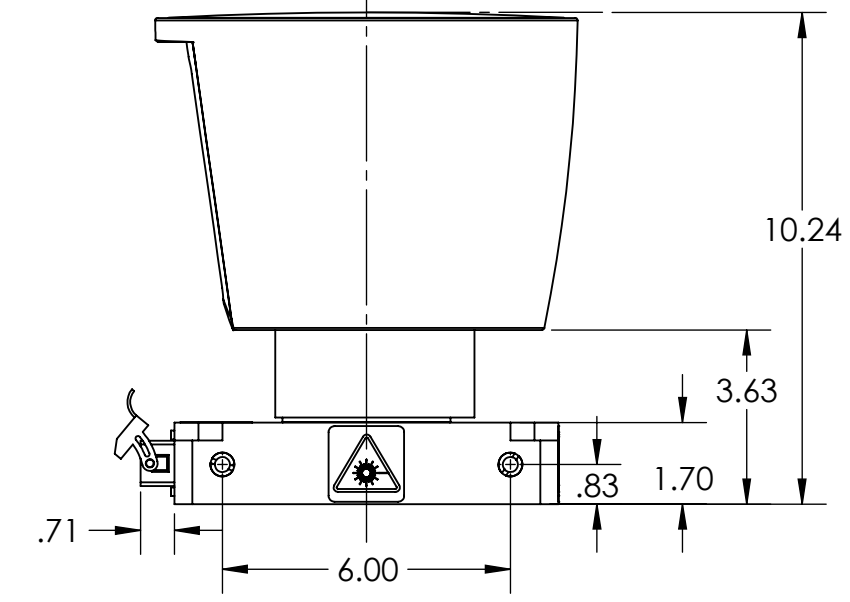
4X ϕ .41 THRU MOUNTING HOLES



VERTICAL FOV



8X (4 SIDES INDENTICAL)
M8-1.25X 12mm MOUNTING HOLES



UNLESS OTHERWISE SPECIFIED DIMENSIONS ARE IN DECIMAL INCHES AND (METRIC).		SOLIDWORKS GENERATED DRAWING, DO NOT MANUALLY UPDATE			
TOLERANCES ARE:		APPROVALS		TITLE	
DECIMALS	ANGLES	DWNBY	DDATE	OUTLINE DRAWING	
.xx ± .01 [0.25]	± N/A	CHKD	CDATE	HDL-64E S2	
.xxx ± .005 [0.127]		QC	QDATE	SIZE	DWG. NO.
MATERIAL	SEE BOM	ENG	EDATE	B	86-0105
FINISH	SEE NOTES			SCALE:	SC
NEXT ASSY	USED ON				
APPLICATION	DO NOT SCALE DRAWING				
				REV.	A
				SHEET	1 of 1