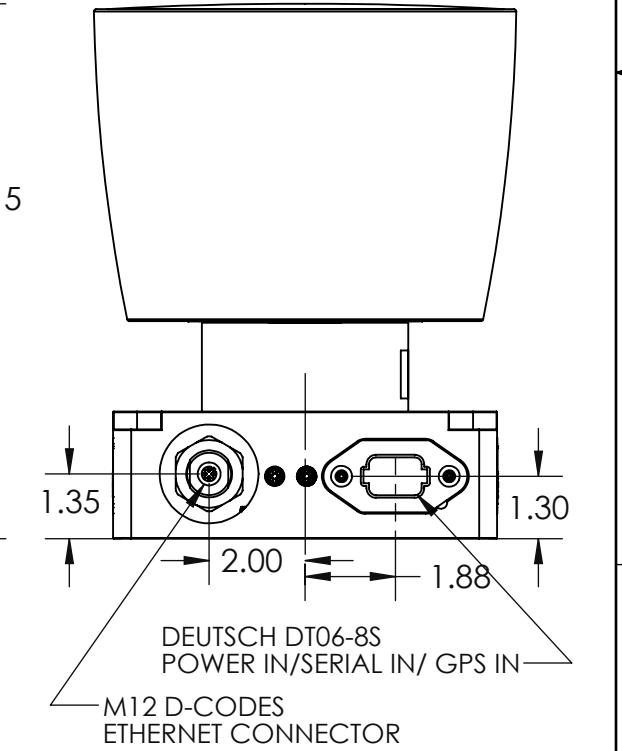
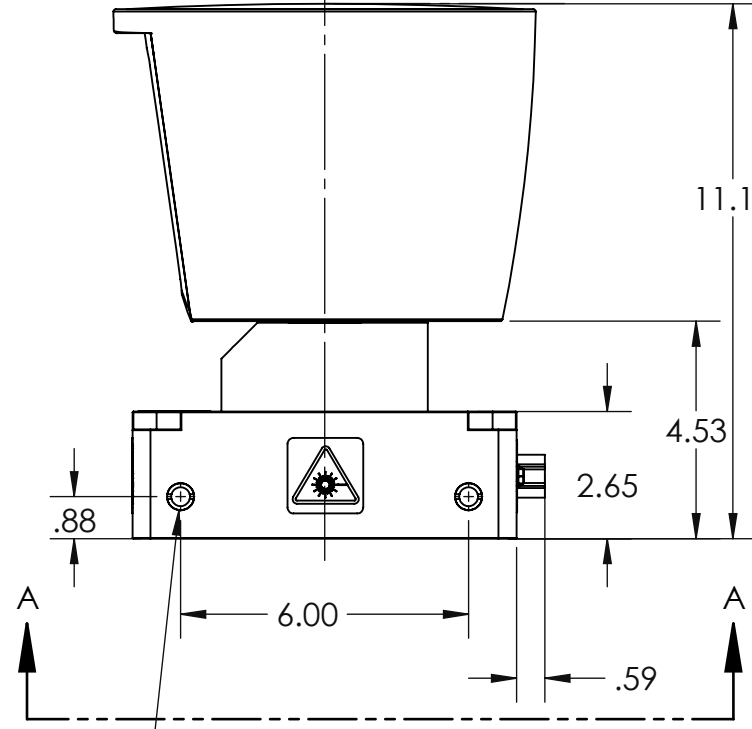
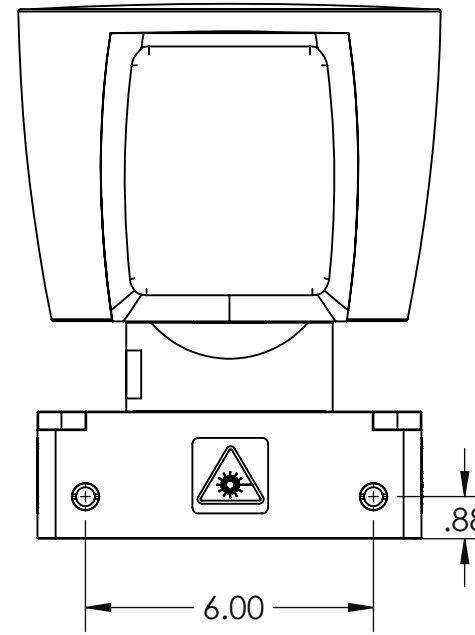
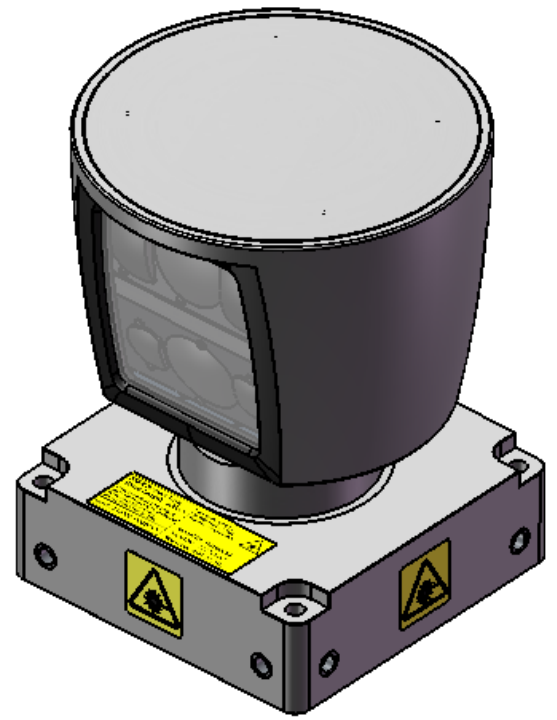
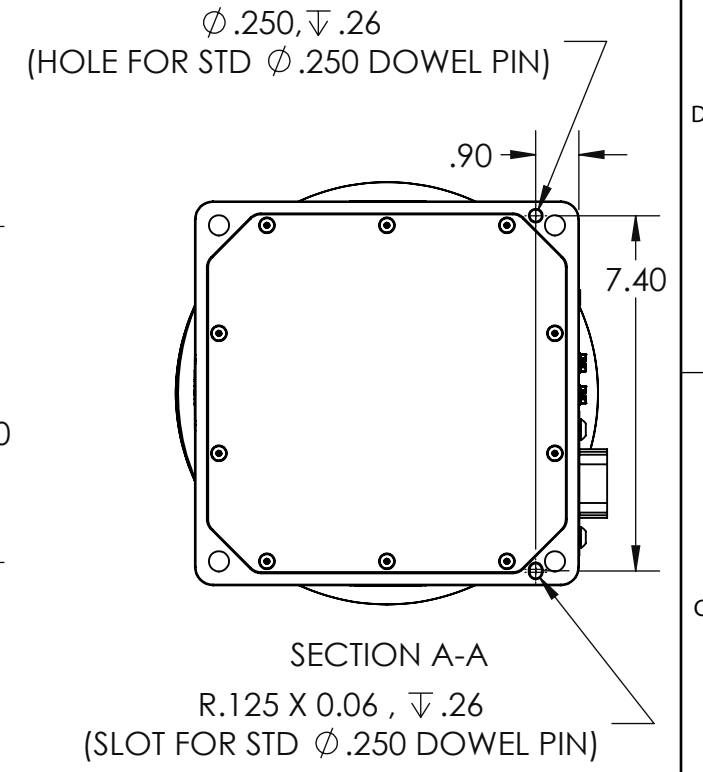
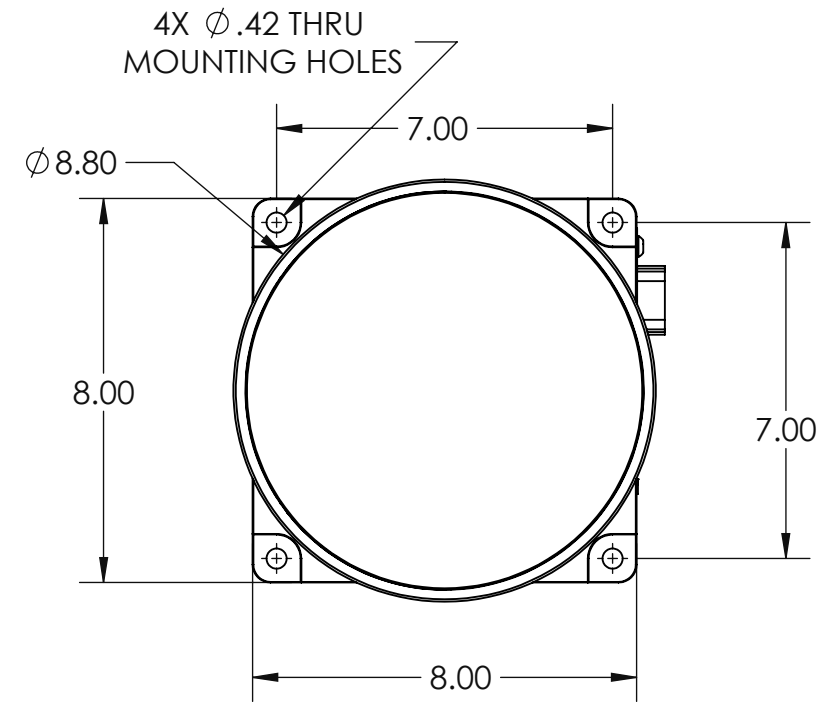
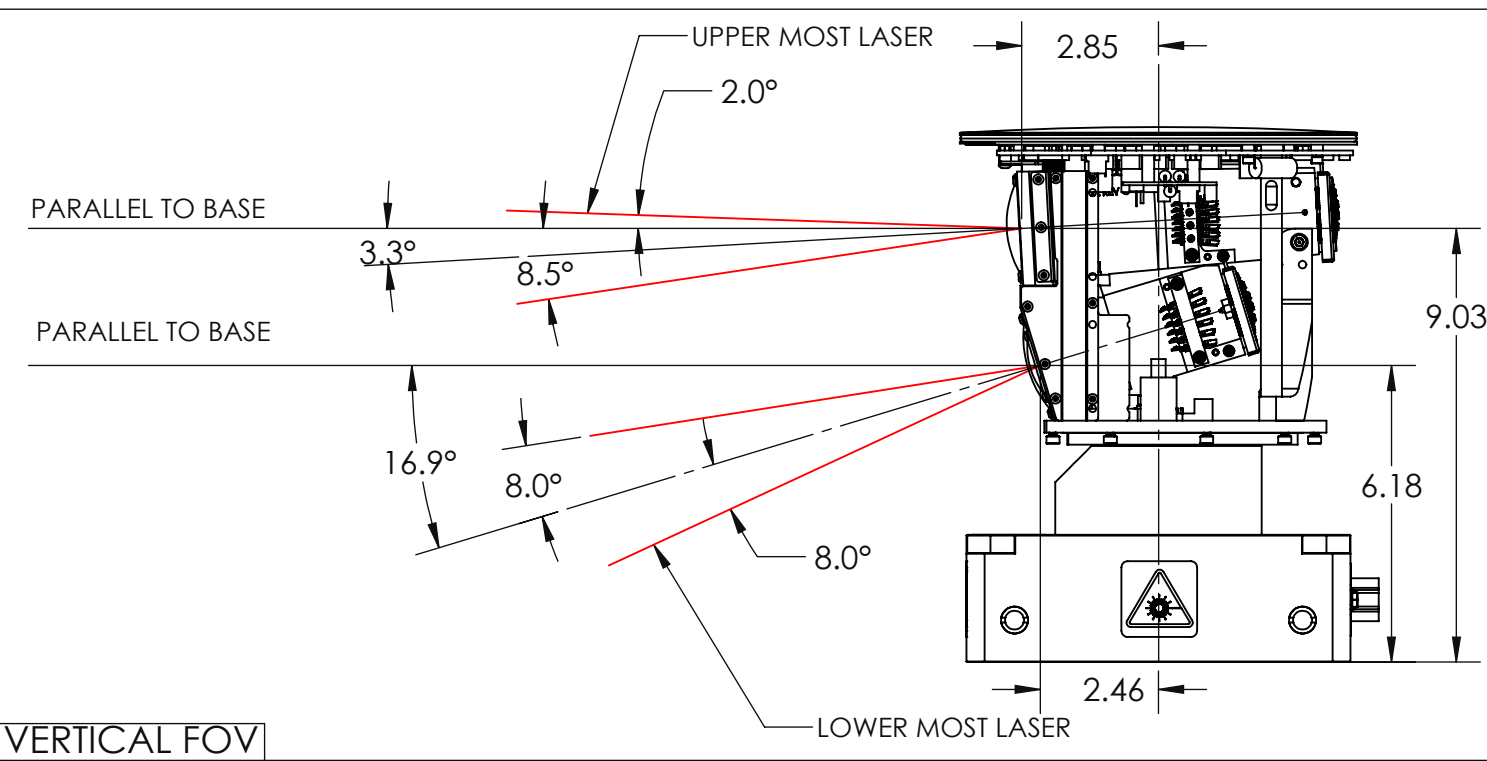


THE INFORMATION CONTAINED IN THIS DRAWING IS THE SOLE PROPERTY OF VELODYNE ACOUSTICS, INC., ANY REPRODUCTION IN PART OR WHOLE WITHOUT THE WRITTEN PERMISSION OF VELODYNE ACOUSTICS, INC., IS PROHIBITED.

REVISIONS				
ECN	REV	DESCRIPTION	APPROVAL	DATE
000954	A	INITIAL RELEASE	S.NG	4/21/15



6X (3 SIDES INDENTICAL)  
M10-1.5 X 13MM MIN MOUNTING HOLES

NOTES: UNLESS OTHERWISE SPECIFIED  
1. ALL DIMENSIONS ARE IN DECIMAL INCHES.

UNLESS OTHERWISE SPECIFIED DIMENSIONS ARE IN DECIMAL INCHES AND (METRIC).		SOLIDWORKS GENERATED DRAWING, DO NOT MANUALLY UPDATE		Velodyne Acoustics, Inc.	
TOLERANCES ARE: DECIMALS ANGLES .xx ± .01 [0.25] ± N/A .xxx ± .005 [0.127]		APPROVALS	DATE	TITLE	
MATERIAL	SEE BOM	DWN DWNBY	DDATE	OUTLINE DRAWING	
FINISH	SEE NOTES	CHKD CHKD	CDATE	HDL-64E S3	
NEXT ASSY	USED ON	QC QA	QDATE	SIZE B	DWG. NO. 86-0104
APPLICATION	DO NOT SCALE DRAWING	ENG ENG	EDATE	SCALE: SC	REV. A
				SHEET	1 of 1